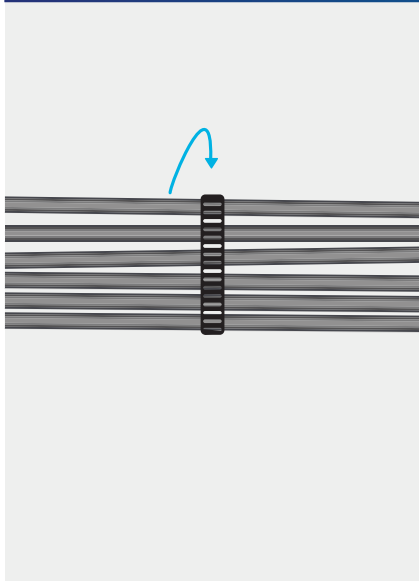


RATCHET LOCKING CABLE TIES

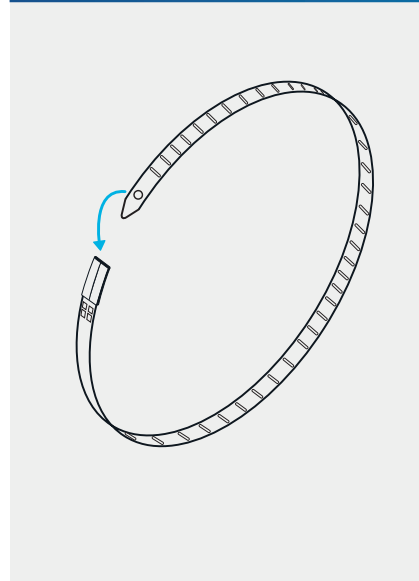
Epoxy Coated Stainless Steel

INSTALL STEPS

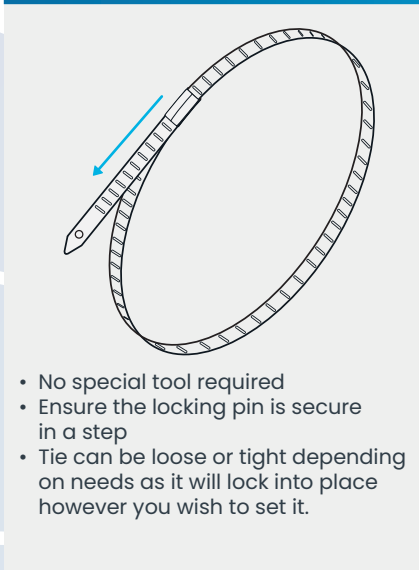
1. WRAP CABLE TIE AROUND BUNDLE



2. INSERT STRAP THROUGH TIE HEAD BY HAND



3. PULL TIE THROUGH TO DESIRED LEVEL



4. BEND AWAY OR CUT OFF EXCESS

