

TILE ROOF ENTRY GLAND

Supersedes Tile Deck Tight

INSTALL STEPS

1. DRILL

32mm hole with wet diamond hole saw

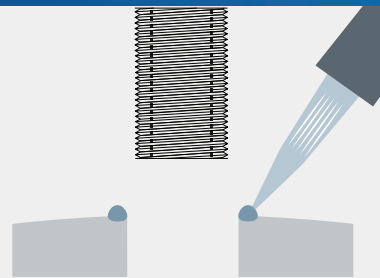


Hole location

- Bottom $\frac{1}{4}$ of tile in the middle
- Ridge. If ridge too steep, use side of valley
- Do not block valley
- Ensure gland entry point avoids other tiles and framework

2. SQUEEZE

A bead of silicon sealant around hole

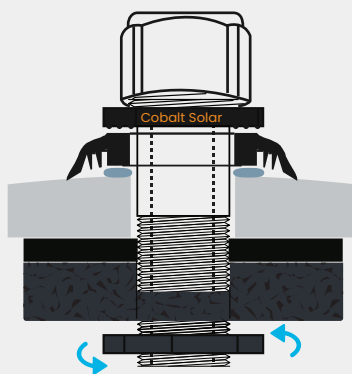


Sealant

- Select compatible sealant
- Apply small bead around entry hole
- Ensure bead is continuous

3. INSERT & LOCK

With wing nut and locking nut

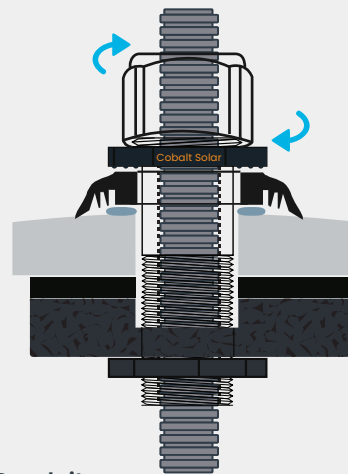


Gland

- Insert gland
- Tighten locking nut to create seal

4. PUSH & SEAL

Insert Conduit all the way and tighten gland head



Conduit

- Insert conduit **through** gland
- Tighten gland head to seal